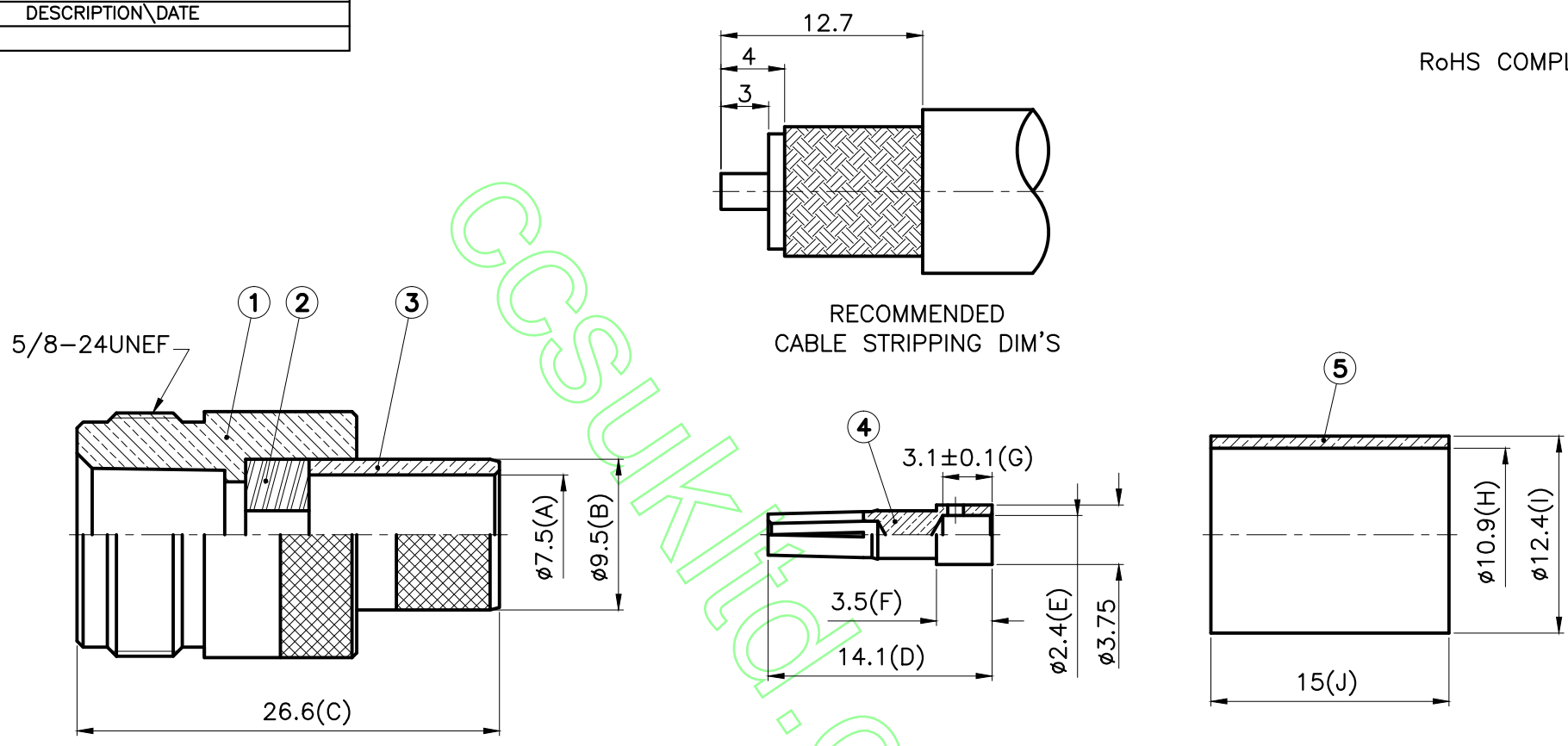


REVISIONS	
ISS	DESCRIPTION \ DATE

RoHS COMPLIANT



RECOMMENDED  
CABLE STRIPPING DIM'S

1. CRIMPED FERRULE  
HEX CRIMP SIZE .429"
2. CRIMPED CONTACT PIN  
HEX CRIMP SIZE .128"



TITLE: N FEMALE CRIMP (FOR RG213)		APRD:	UNLESS OTHERWISE SPECIFIED TOLERANCES 0.5-6 = ±0.2 >6-30 = ±0.4 >30-120 = ±0.6 >120-315 = ±1 >315-1000 = ±1.6 ANGLES = ±5°				
PART NO: NJCR213	029	CHKD:		5	FERRULE	BRASS	NICKEL
DRAWING NO:		DR:		4	CONTACT PIN	BRASS	GOLD
		DATE: 09/11/19"	UNIT: mm	3	BRAID HOLDER	BRASS	NICKEL
		SHEET: .	SCALE: 2.5/1	2	INSULATOR	TEFLON	WHITE
				1	BODY	BRASS	NICKEL
				NO.	DESCRIPTION	MATERIAL	FINISH